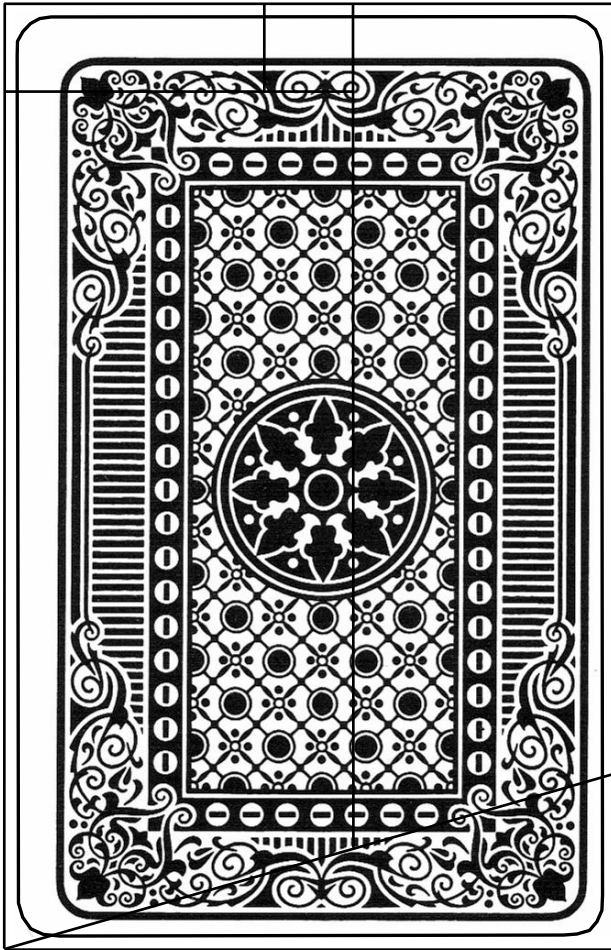


Figure 1. The disappearing square piece



(1) Back



(2) Front

Figure 2. A playing card for constructing the puzzle

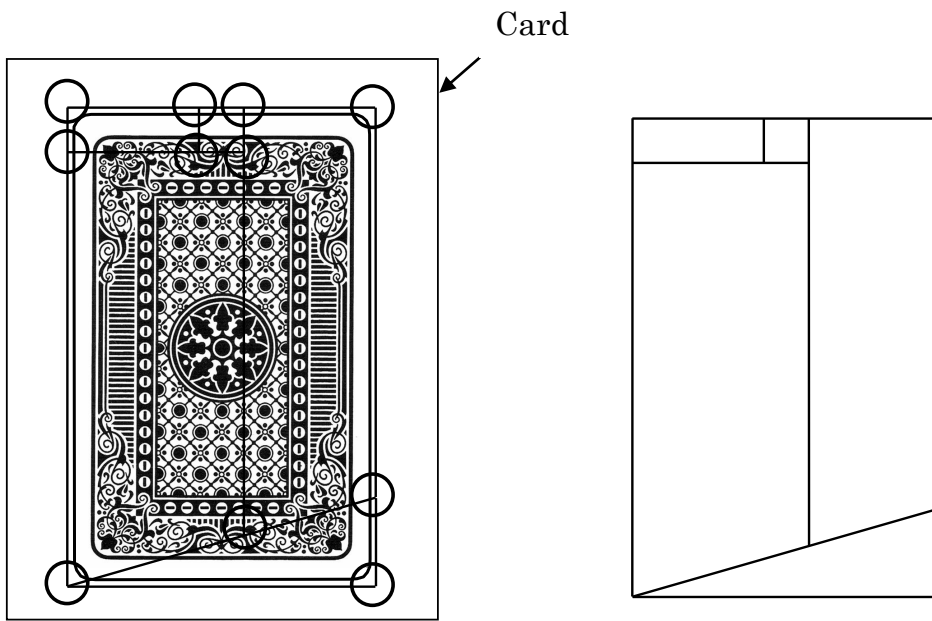


Figure 3. The 11 grid points

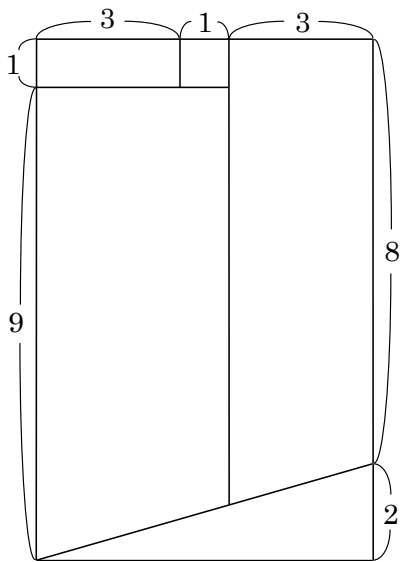


Figure 4. The dimensions on the back of the card

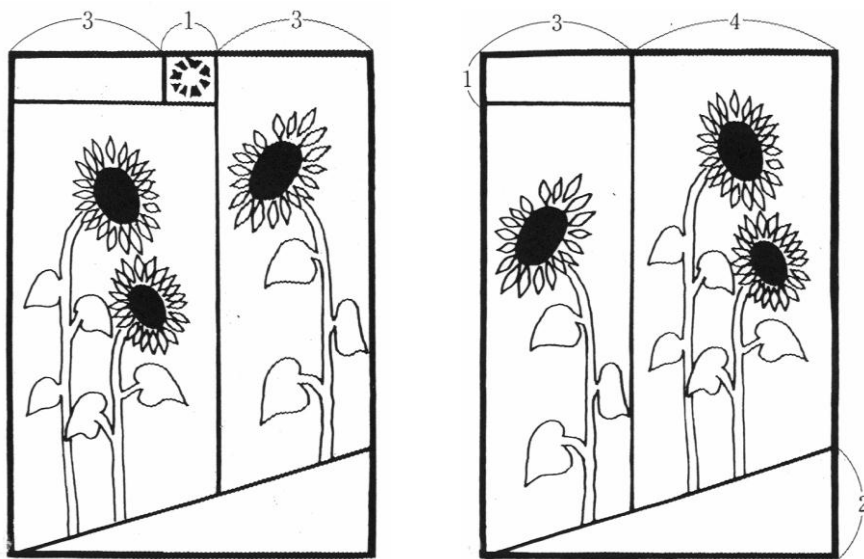
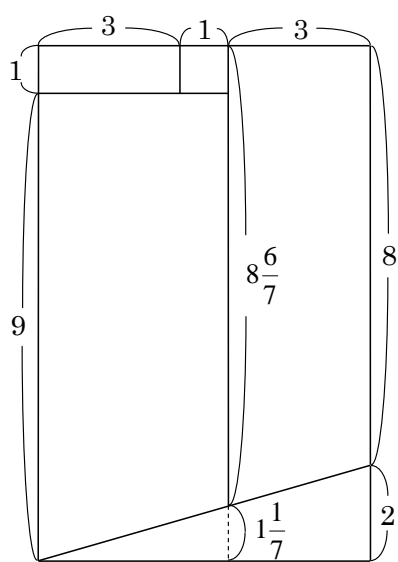
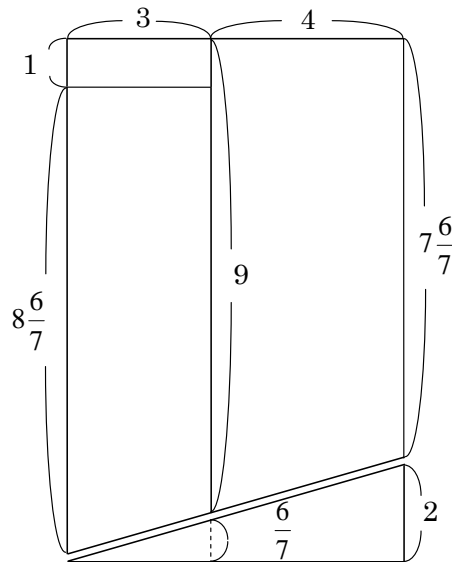


Figure 5. 'Sunflowers facing the sun' by H. Kondo (see Sakane, 1986)



(1) Back



(2) Front

(A parallelogram fissure is formed)

Figure 6. All dimensions of this puzzle

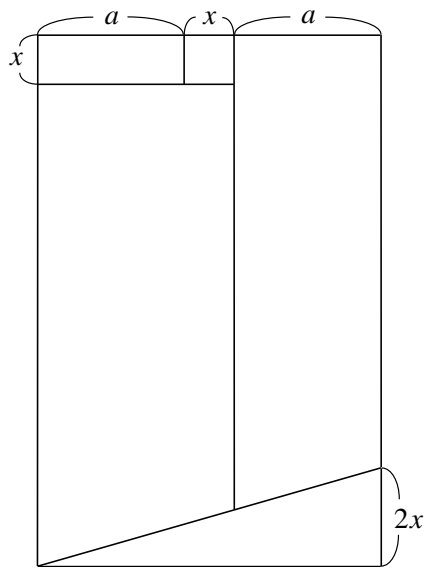


Figure 7. The conditions for magic